

This 6" diameter, clear acrylic base plate improves the stability of compact routers without obscuring your view of the workpiece. The center hole will accept standard  $1\frac{3}{16}$ " template guides, inserts and inlay bushings. To provide a comfortable grip and improve your control over the compact router, optional handles can be installed in the countersunk holes in the base plate.

Since this base plate is not pre-drilled to match the hole pattern of any particular compact router, you will need to drill the holes required to mount it to your compact router (maximum 4" diameter body). The included centering disc ensures that the base plate and a  $\frac{1}{4}$ " shank router bit are centered relative to each other in a compact router.

### Drilling the Hole Pattern

1. Remove the sub-base from the compact router and set the screws aside.
2. Place the centering disc on a  $\frac{1}{4}$ " shank router bit.
3. Install the bit in the compact router and position the router collet nut flush with the bottom of the compact router.
4. Position the blank base plate on the bottom of the compact router, with the flat side to the back of the compact router, and the countersunk holes face up.
5. Lower the centering disc into the center hole in the base plate and onto the collet nut.
6. Mark the mounting hole locations with an awl or a center punch.
7. Remove the base plate from the compact router and clamp it on a drill press.
8. Using a  $\frac{3}{8}$ " Forstner bit, drill  $\frac{5}{32}$ " deep counterbores in the marked locations.
9. Using a  $\frac{3}{16}$ " bit, drill through holes in the center of the counterbores.

**Note:** Keep the bit and the centering disc installed in the compact router for the next step.

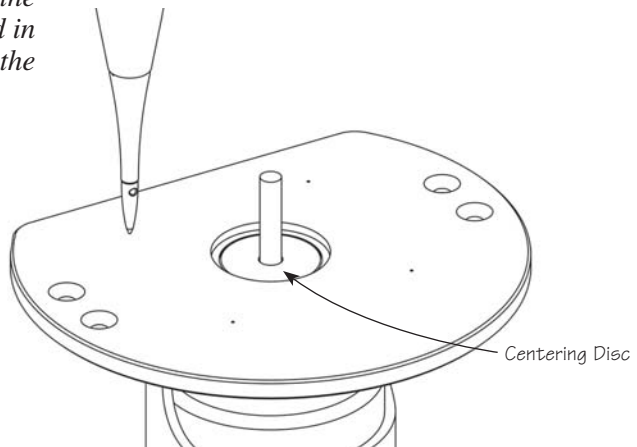


Figure 1: Marking the mounting holes.

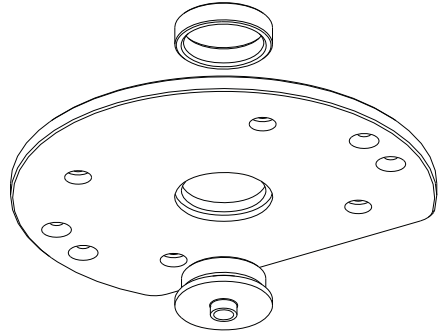
## Installing the Base Plate

1. With the bit and the centering disc installed in the compact router, position the drilled base plate on the bottom of the compact router, aligning the drilled holes with the mounting holes in the compact router.
2. Attach the base plate using the mounting screws.
3. Remove the bit and the centering disc, and then remove the centering disc from the bit.
4. Reinstall the router bit.

**Note:** Use the centering disc every time you reinstall a base plate onto your compact router.

## Installing a Template Guide

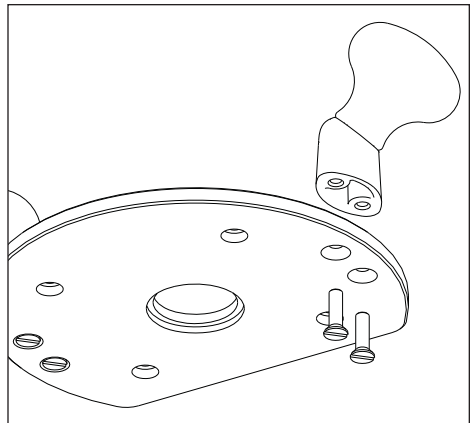
Insert a  $1\frac{3}{16}$ " template guide into the center hole as shown in **Figure 2**. Secure with a  $1\frac{3}{16}$ " threaded ring nut (05J66.50).



**Figure 2: Installing a template guide.**

## Optional Handles

Attach the optional handles (50J50.12) using the included screws through the countersunk holes in the base, as shown in **Figure 3**.



**Figure 3: Installing the optional handles.**

## Accessories

- 05J66.10** Fence and Center Kit
- 50J50.12** Optional Knobs, pair
- 05J66.50**  $1\frac{3}{16}$ " Threaded Ring Nut